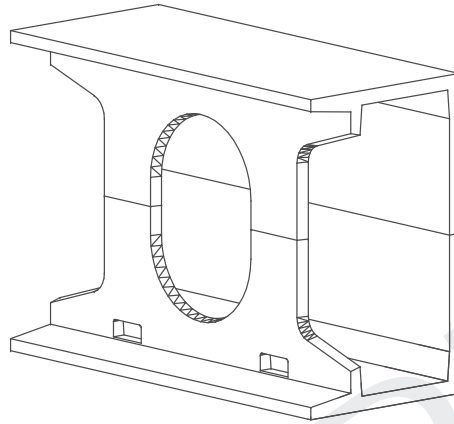
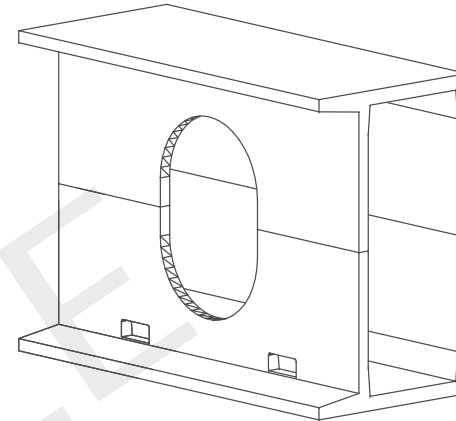


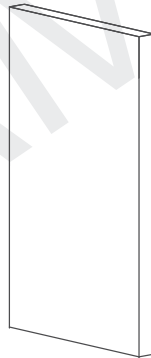
TYPE I



TYPE III



TYPE IV



TYPE IV
END PANEL

PATENTS LISTED AT: [HTTP://STORMTRAP.COM/PATENT/](http://stormtrap.com/patent/)

1-877-867-6872

ENGINEER INFORMATION:

PROJECT INFORMATION:

DOUBLETRAP

DETENTION

CURRENT ISSUE DATE:

ISSUED FOR:

SAMPLE PROJECT

REV.	DATE:	ISSUED FOR:	DWN BY:

SCALE:

NTS

SHEET TITLE:

SINGLETRAP
MODULE TYPES

SHEET NUMBER:

6.0

- NOTES:**
1. OPENING LOCATIONS AND SHAPES MAY VARY.
 2. SP - INDICATES A MODULE WITH MODIFICATIONS.
 3. P - INDICATES A MODULE WITH A PANEL ATTACHMENT.
 4. POCKET WINDOW OPENINGS ARE OPTIONAL.