



StormTrap®

MODULAR CONCRETE
STORMWATER MANAGEMENT

CONTACT STORMTRAP TO REQUEST A DESIGN AND BUDGET FOR YOUR SPECIFIC PROJECT NEEDS.

SHEET INDEX	
PAGE	DESCRIPTION
0.0	COVER SHEET
1.0	SINGLETRAP DESIGN CRITERIA
2.0	SINGLETRAP SYSTEM LAYOUT
3.0	SINGLETRAP INSTALLATION SPECIFICATIONS
3.1	SINGLETRAP INSTALLATION SPECIFICATIONS
4.0	SINGLETRAP BACKFILL SPECIFICATIONS
5.0	RECOMMENDED PIPE/ACCESS OPENING SPECIFICATIONS
6.0	SPLASH PAD & GEOWEB DETAILS
6.1	SPLASH PAD LAYOUT SPECIFICATIONS
7.0	SINGLETRAP MODULE TYPES

STORMTRAP CONTACT INFORMATION

STORM TRAP SUPPLIER:	STORMTRAP
CONTACT NAME:	STORMTRAP
CELL PHONE:	STORMTRAP
SALES EMAIL:	STORMTRAP

StormTrap®

PATENTS LISTED AT: [HTTP://STORMTRAP.COM/PATENT/](http://stormtrap.com/patent/)

1-877-867-6872

ENGINEER INFORMATION:

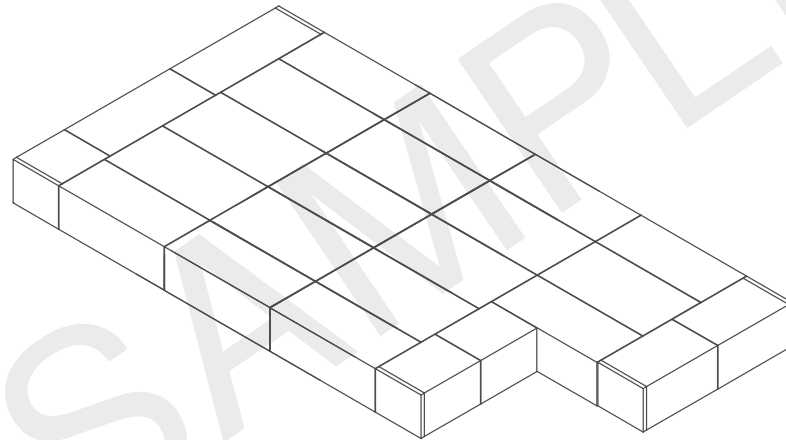
PROJECT INFORMATION:

SINGLETRAP
INFILTRATION

CURRENT ISSUE DATE:

ISSUED FOR:

SAMPLE PROJECT



SINGLETRAP® - INFILTRATION SAMPLE PROJECT

REV.	DATE:	ISSUED FOR:	DWN BY:

SCALE:

NTS

SHEET TITLE:

COVER SHEET

SHEET NUMBER:

0.0

STORMTRAP SYSTEM INFORMATION		
WATER STORAGE REQ'D:	10000	CUBIC FEET
WATER STORAGE PROV:	12559.8	CUBIC FEET
UNIT HEADROOM:	5' 0"	SINGLETRAP
UNIT QUANTITY:	27	TOTAL PIECES

STORMTRAP STRUCTURAL DESIGN CRITERIA

1. STORMTRAP MODULES SHALL BE MANUFACTURED AND INSTALLED ACCORDING TO SHOP DRAWINGS APPROVED BY THE INSTALLING CONTRACTOR AND ENGINEER OF RECORD. THE SHOP DRAWINGS SHALL INDICATE SIZE AND LOCATION OF ROOF OPENINGS AND INLET/ OUTLET PIPE TYPES, SIZES, INVERT ELEVATIONS AND SIZE OF OPENINGS.
2. COVER RANGE: MIN. 1.08' MAX. 4.00' CONSULT STORMTRAP FOR ADDITIONAL COVER OPTIONS.
3. ALL DIMENSIONS AND SOIL CONDITIONS, INCLUDING BUT NOT LIMITED TO GROUNDWATER AND SOIL BEARING CAPACITY ARE REQUIRED TO BE VERIFIED IN THE FIELD BY OTHERS PRIOR TO STORMTRAP INSTALLATION.

StormTrap®

PATENTS LISTED AT: [HTTP://STORMTRAP.COM/PATENT/]

1-877-867-6872

ENGINEER INFORMATION:

PROJECT INFORMATION:

SINGLETRAP

INFILTRATION

CURRENT ISSUE DATE:

ISSUED FOR:

SAMPLE PROJECT

REV.	DATE:	ISSUED FOR:	DWN BY:

SCALE:

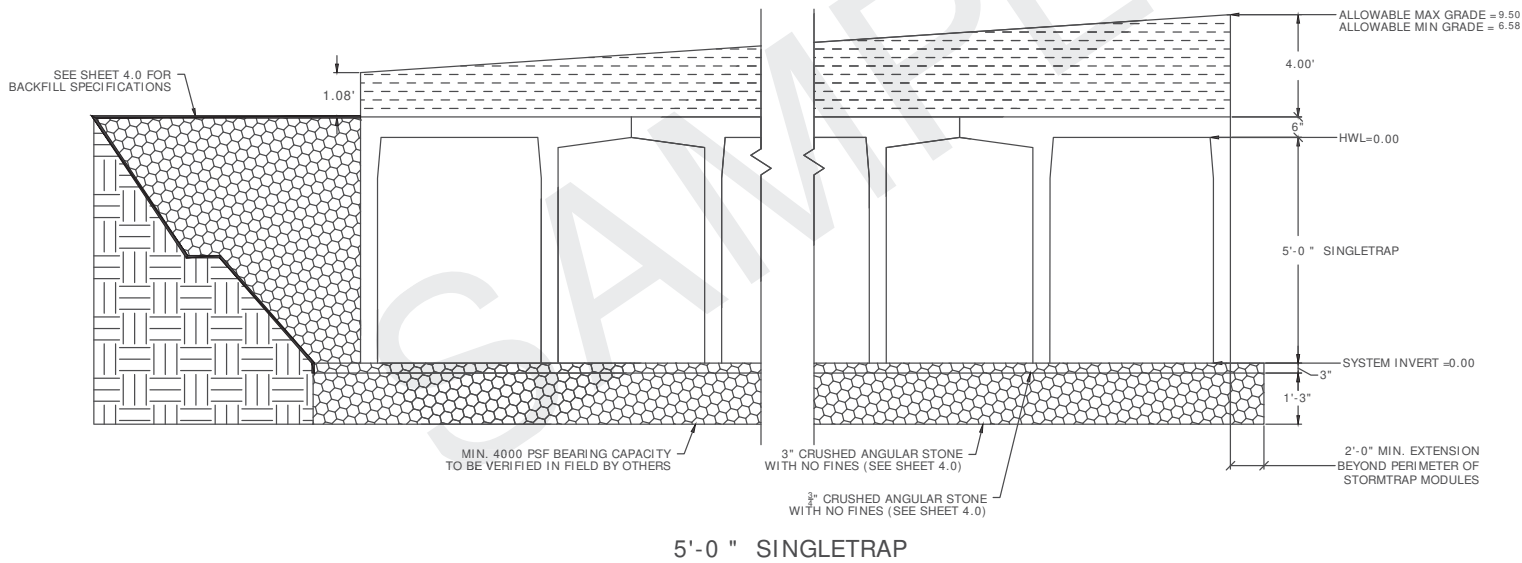
NTS

SHEET TITLE:

SINGLETRAP
DESIGN
CRITERIA

SHEET NUMBER:

1.0



BILL OF MATERIALS

QTY.	UNIT TYPE	DESCRIPTION	WEIGHT
0	I	5' 0" SINGLETRAP	
10	II	5' 0" SINGLETRAP	
0	III	5' 0" SINGLETRAP	
12	IV	5' 0" SINGLETRAP	
0	VII	5' 0" SINGLETRAP	
5	SPIV	5' 0" SINGLETRAP	
5	PANEL	8" THICK PANELS	
5	JOINTWRAP	150' PER ROLL	
24	JOINTTAPE	14.5' PER ROLL	

DESIGN CRITERIA
 ALLOWABLE MAX GRADE= 9.50
 ALLOWABLE MIN GRADE = 6.58
 INSIDE HEIGHT ELEVATION = 0.00
 SYSTEM INVERT = 0.00
 STORMTRAP VOLUME = 12559.8 C.F.

NOTES:

1. DIMENSIONING OF STORMTRAP SYSTEM SHOWN BELOW ALLOW FOR A 3/4" GAP BETWEEN EACH MODULE.
2. ALL DIMENSIONS TO BE VERIFIED IN THE FIELD BY OTHERS.
3. SEE SHEET 3.0 FOR INSTALLATION SPECIFICATIONS.
4. SP - INDICATES A MODULE WITH MODIFICATIONS.
5. P - INDICATES A MODULE WITH A PANEL ATTACHMENT.
6. CONTRACTORS RESPONSIBILITY TO ENSURE CONSISTENCY/ACCURACY TO FINAL ENGINEER OF RECORD PLAN SET.

StormTrap®

PATENTS LISTED AT: [HTTP://STORMTRAP.COM/PATENT/]

1-877-867-6872

ENGINEER INFORMATION:

PROJECT INFORMATION:

SINGLETRAP
INFILTRATION

CURRENT ISSUE DATE:

ISSUED FOR:

SAMPLE PROJECT

REV.	DATE:	ISSUED FOR:	DWN BY:

SCALE:

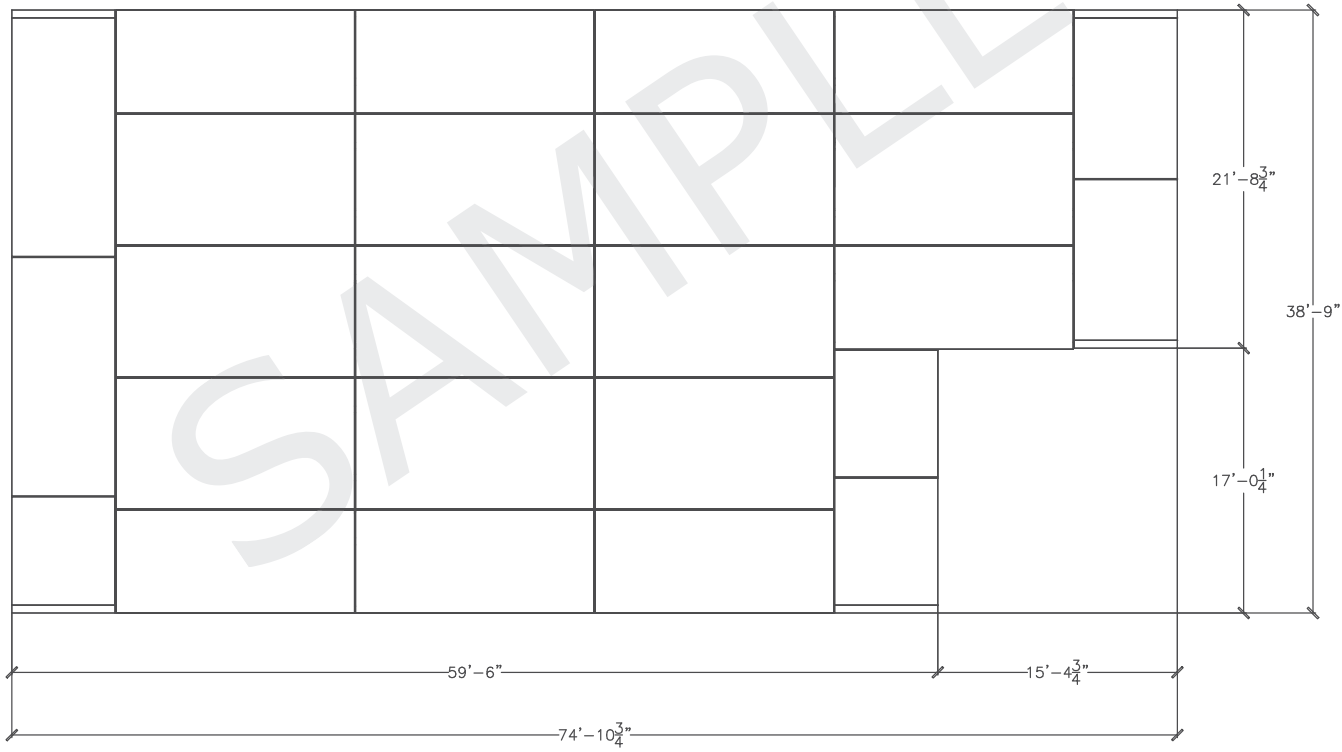
NTS

SHEET TITLE:

SINGLETRAP
LAYOUT DETAILS

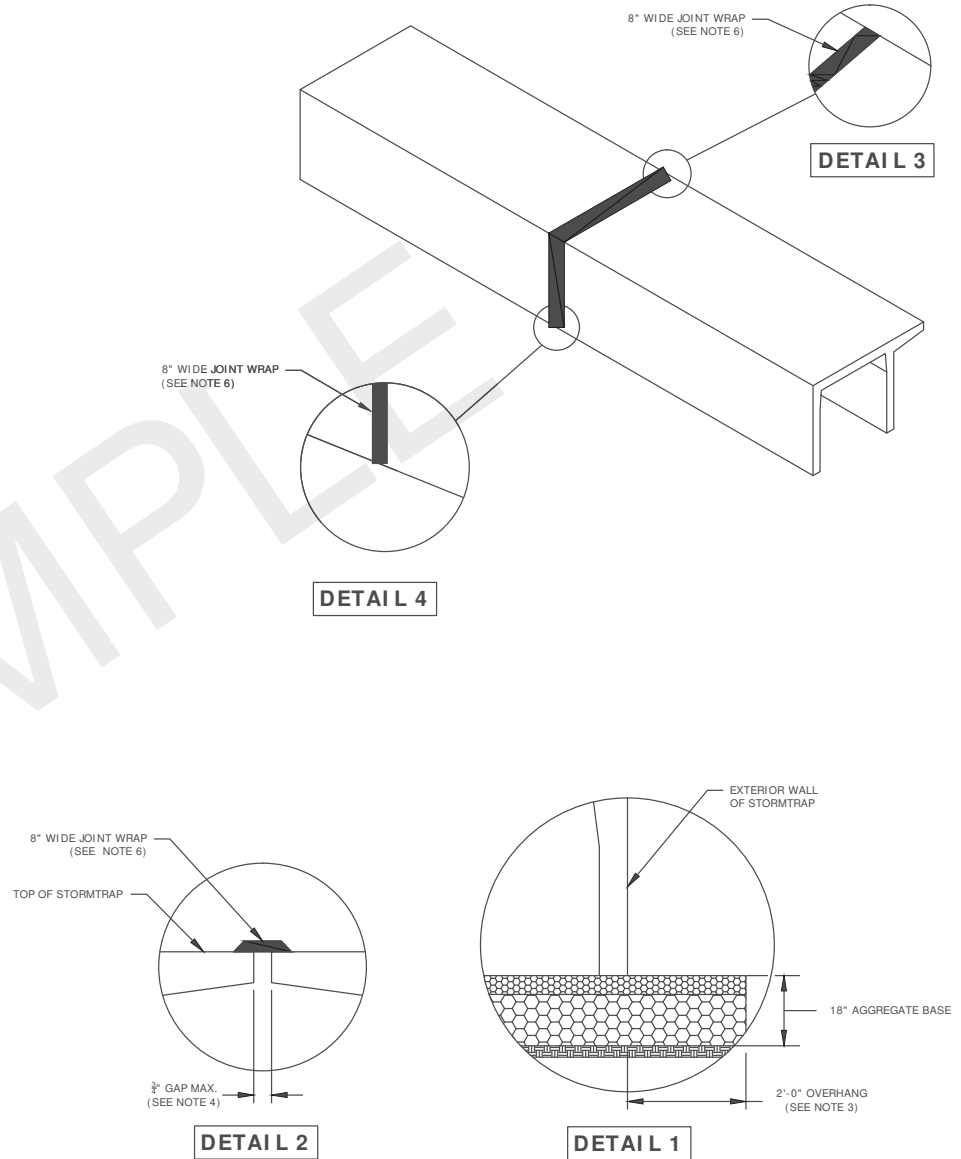
SHEET NUMBER:

2.0



STORMTRAP INSTALLATION SPECIFICATIONS

1. STORMTRAP SHALL BE INSTALLED IN ACCORDANCE WITH ASTM C891 STANDARD PRACTICE FOR INSTALLATION OF UNDERGROUND PRE-CAST CONCRETE UTILITY STRUCTURES. THE FOLLOWING ADDITIONS AND/OR EXCEPTIONS SHALL APPLY:
2. IT IS THE RESPONSIBILITY OF THE INSTALLING CONTRACTOR TO ENSURE THAT PROPER/ADEQUATE EQUIPMENT IS USED TO SET/INSTALL THE MODULES.
3. THE AGGREGATE FOUNDATION HAS BEEN DESIGNED BASED ON THE FOLLOWING ASSUMPTIONS. THESE ASSUMPTIONS WILL NEED TO BE VERIFIED BY A GEOTECHNICAL ENGINEER WHICH WILL NEED TO BE EMPLOYED BY THE OWNER.
 - 3.1. A QUALIFIED GEOTECHNICAL ENGINEER WILL BE EMPLOYED, BY OWNER, TO PROVIDE ASSISTANCE IN EVALUATING THE EXISTING SOIL CONDITIONS AT THE ELEVATION THE STONE FOUNDATION IS TO BE PLACED. IF A FOUNDATION IS TO BE USED FOR THIS CONDITION, THE BEARING PRESSURE OF THE SOILS AT THIS LEVEL WILL NEED TO MEET OR EXCEED ALLOWABLE CAPACITY. IF THIS IS NOT POSSIBLE, THE STONE FOUNDATION MAY NOT BE AN OPTION FOR THIS LOCATION.
 - 3.2. A QUALIFIED GEOTECHNICAL ENGINEER WILL BE EMPLOYED, BY OWNER, TO EVALUATE A SOURCE OF STONE AGGREGATES THAT WILL BE PLACED ON PROPERLY COMPACTED SOILS (SEE SHEET 1.0 FOR SOIL BEARING CAPACITY REQUIREMENTS). THE AGGREGATE BASE COURSE FOR WHICH THE STORMTRAP SYSTEM WILL BEAR DIRECTLY ON SHALL CONSIST OF A 3" THICK BED OF 3/4" DIAMETER ANGULAR STONE, WELL COMPACTED AND SEATED, WITH NO FINES. AND A 15" THICK BED OF 3" DIAMETER STONE AGGREGATE (SEE SHEET 4.0 FOR FURTHER DESCRIPTION/EXPLANATION). PLEASE NOTE THAT THESE ARE ONLY MINIMUM RECOMMENDATIONS AND A QUALIFIED GEOTECHNICAL ENGINEER SHALL BE USED TO DETERMINE THE EXACT REQUIREMENTS FOR THE LOCATIONS THAT THE STORMTRAP SYSTEM IS TO BE LOCATED.
 - 3.3. THE CONTRACTOR SHALL REMOVE ANY AND ALL EXPANDABLE OR COLLAPSIBLE SOILS AT THE DIRECTION OF A QUALIFIED GEOTECHNICAL ENGINEER.
 - 3.4. THE AGGREGATE FOUNDATION SHALL BE INSTALLED SUCH THAT THE AGGREGATE EXTENDS A MINIMUM OF 2'-0" PAST THE OUTSIDE OF THE SYSTEM (SEE DETAIL 1).
 - 3.5. THE 3/4" AGGREGATE SHALL BE COMPACTED USING A VIBRATING ROLLER WITH ITS' FULL DYNAMIC FORCE APPLIED TO ACHIEVE A FLAT SURFACE.
 - 3.6. DISK, DRY AND COMPACT THE TOP 8" OF THE SUBGRADE SOILS TO 95% OF THE STANDARD DRY DENSITY AND 110% OPTIMUM MOISTURE CONTENT.
 - 3.7. AGGREGATE SHALL BE GRADED WITHIN +/- 1/4" OF THE GRADE SHOWN ON THE PLANS.
 - 3.8. MINIMUM SOIL BEARING CAPACITY LISTED ON SHEET 1.0 SHALL BE VERIFIED IN FIELD BY OTHERS.
4. THE STORMTRAP MODULES SHALL BE PLACED SUCH THAT THE MAXIMUM SPACE BETWEEN ADJACENT MODULES DOES NOT EXCEED 3/8" (SEE DETAIL 2). IF THE SPACE EXCEEDS 3/8", THE MODULES SHALL BE RESET WITH APPROPRIATE ADJUSTMENT MADE TO LINE AND GRADE TO BRING THE SPACE INTO SPECIFICATION.
5. STORMTRAP MODULES ARE NOT WATERTIGHT. IF A WATERTIGHT SOLUTION IS REQUIRED, CONTACT STORMTRAP FOR RECOMMENDATIONS. THE WATERTIGHT APPLICATION IS TO BE PROVIDED AND IMPLEMENTED BY THE CONTRACTOR. THE CONTRACTOR IS RESPONSIBLE TO ENSURE THAT THE SELECTED WATERTIGHT SOLUTION PERFORMS AS SPECIFIED BY THE MANUFACTURER. CONTACT STORMTRAP IF A WATERTIGHT APPLICATION IS REQUIRED.
6. ALL EXTERIOR JOINTS BETWEEN ADJACENT STORMTRAP MODULES SHALL BE SEALED WITH 8" WIDE PRE-FORMED, COLD-APPLIED, SELF-ADHERING ELASTOMERIC RESIN, BONDED TO A WOVEN, HIGHLY PUNCTURE RESISTANT POLYMER WRAP, CONFORMING TO ASTM C891 AND SHALL BE INTEGRATED WITH PRIMER SEALANT AS APPROVED BY STORMTRAP (SEE DETAILS 3 & 4). THE JOINT WRAP DOES NOT PROVIDE A WATERTIGHT SEAL. THE SOLE PURPOSE OF THE JOINT WRAP IS TO PROVIDE A SILT AND SOIL TIGHT SYSTEM. THE ADHESIVE EXTERIOR JOINT WRAP SHALL BE INSTALLED ACCORDING TO THE FOLLOWING INSTALLATION INSTRUCTIONS:
 - 6.1. USE A BRUSH OR WET CLOTH TO THOROUGHLY CLEAN THE OUTSIDE SURFACE AT THE POINT WHERE THE JOINT WRAP IS TO BE APPLIED.
 - 6.2. A RELEASE PAPER PROTECTS THE ADHESIVE SIDE OF THE JOINT WRAP. PLACE THE ADHESIVE TAPE (ADHESIVE SIDE DOWN) AROUND THE STRUCTURE, REMOVING THE RELEASE PAPER AS YOU GO. PRESS THE JOINT WRAP FIRMLY AGAINST THE STORMTRAP MODULE SURFACE WHEN APPLYING.
7. IF THE CONTRACTOR NEEDS TO CANCEL ANY SHIPMENTS, THEY MUST DO SO 48 HOURS PRIOR TO THEIR SCHEDULED ARRIVAL AT THE JOB SITE. IF CANCELED AFTER THAT TIME, PLEASE CONTACT THE PROJECT MANAGER.
8. IF THE STORMTRAP MODULE(S) IS DAMAGED IN ANY WAY PRIOR, DURING, OR AFTER INSTALL, STORMTRAP MUST BE CONTACTED IMMEDIATELY TO ASSESS THE DAMAGE AND TO DETERMINE WHETHER OR NOT THE MODULE(S) WILL NEED TO BE REPLACED. IF ANY MODULE ARRIVES AT THE JOBSITE DAMAGED DO NOT UNLOAD IT; CONTACT STORMTRAP IMMEDIATELY. ANY DAMAGE NOT REPORTED BEFORE THE TRUCK IS UNLOADED WILL BE THE CONTRACTOR'S RESPONSIBILITY.
9. STORMTRAP MODULES CANNOT BE ALTERED IN ANY WAY AFTER MANUFACTURING WITHOUT WRITTEN CONSENT FROM STORMTRAP.



StormTrap®
PATENTS LISTED AT: [HTTP://STORMTRAP.COM/PATENT]
1-877-867-6872

ENGINEER INFORMATION:

PROJECT INFORMATION:

SINGLETRAP
INFILTRATION

CURRENT ISSUE DATE:

ISSUED FOR:

SAMPLE PROJECT

REV.	DATE:	ISSUED FOR:	DWN BY:

SCALE:

NTS

SHEET TITLE:

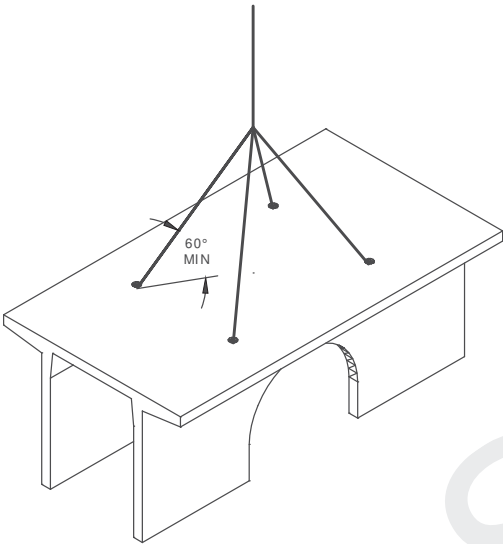
SINGLETRAP
INSTALLATION
SPECIFICATIONS

SHEET NUMBER:

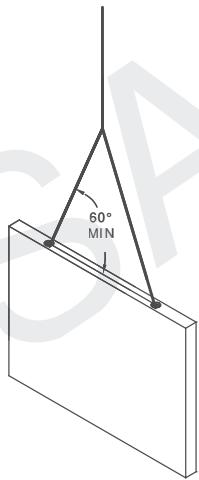
3.0

END PANEL ERECTION/INSTALLATION NOTES

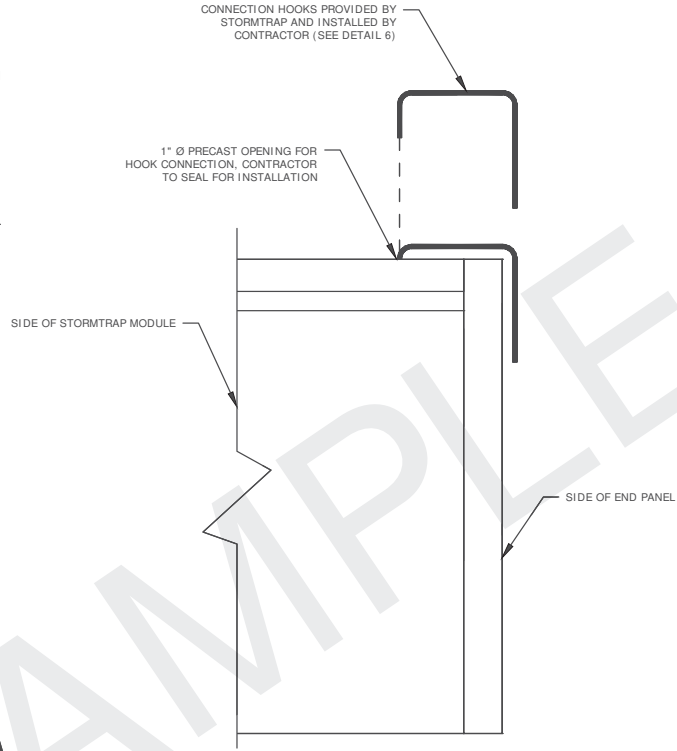
1. END PANELS WILL BE SUPPLIED TO CLOSE OFF OPEN ENDS OF ROWS.
2. PANELS SHALL BE INSTALLED IN A TILT UP FASHION DIRECTLY ADJACENT TO OPEN END OF MODULE (REFER TO SHEET 2.0 FOR END PANEL LOCATIONS).
3. CONNECTION HOOKS WILL BE SUPPLIED WITH END PANELS TO SECURELY CONNECT PANEL TO ADJACENT STORMTRAP MODULE (SEE PANEL CONNECTION ELEVATION VIEW).
4. ONCE CONNECTION HOOK IS ATTACHED, LIFTING CLUTCHES MAY BE REMOVED.
5. JOINT WRAP SHALL BE PLACED AROUND PERIMETER JOINT PANEL (SEE SHEET 3.0).



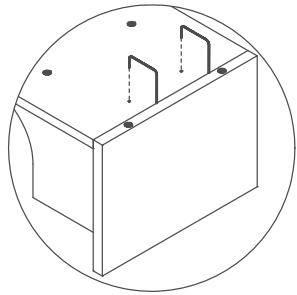
MODULE LIFTING DETAIL



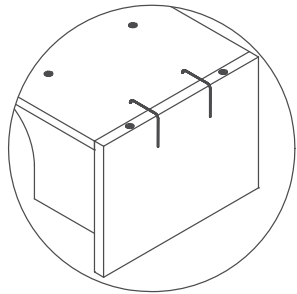
END PANEL LIFTING DETAIL



PANEL CONNECTION ELEVATION VIEW



STEP 1



STEP 2

DETAIL 6



PATENTS LISTED AT: [HTTP://STORMTRAP.COM/PATENT/](http://stormtrap.com/patent/)

1-877-867-6872

ENGINEER INFORMATION:

Blank box for engineer information.

PROJECT INFORMATION:

SINGLETRAP
INFILTRATION

CURRENT ISSUE DATE:

Blank box for current issue date.

ISSUED FOR:

SAMPLE PROJECT

REV.	DATE:	ISSUED FOR:	DWN BY:

SCALE:

NTS

SHEET TITLE:

SINGLETRAP
INSTALLATION
SPECIFICATIONS

SHEET NUMBER:

3.1

ZONE CHART

ZONES	ZONE DESCRIPTIONS	REMARKS
ZONE 1 A	FOUNDATION AGGREGATE	
ZONE 1 B	FOUNDATION AGGREGATE	
ZONE 2	BACKFILL	
ZONE 3	FINAL COVER OVERTOP	

STORMTRAP ZONE INSTALLATION SPECIFICATIONS/PROCEDURES

1. THE FILL PLACED AROUND THE STORMTRAP MODULES MUST DEPOSITED ON BOTH SIDES AT THE SAME TIME AND TO APPROXIMATELY THE SAME ELEVATION. AT NO TIME SHALL THE FILL BEHIND ONE SIDE WALL BE MORE THAN 2'-0" HIGHER THAN THE FILL ON THE OPPOSITE SIDE. BACKFILL SHALL EITHER BE COMPACTED AND/OR VIBRATED TO ENSURE THAT BACKFILL AGGREGATE/STONE MATERIAL IS WELL SEATED AND PROPERLY INTER LOCKED. CARE SHALL BE TAKEN TO PREVENT ANY WEDGING ACTION AGAINST THE STRUCTURE, AND ALL SLOPES WITHIN THE AREA TO BE BACKFILLED MUST BE STEPPED OR SERRATED TO PREVENT WEDGING ACTION. CARE SHALL ALSO BE TAKEN AS NOT TO DISRUPT THE JOINT WRAP FROM THE JOINT DURING THE BACKFILL PROCESS. BACKFILL MATERIAL SHALL BE CLEAN, CRUSHED, ANGULAR No. 5 (AASHTO M43) AGGREGATE. IF NATIVE EARTH IS SUSCEPTIBLE TO MIGRATION, CONFIRM WITH GEOTECHNICAL ENGINEER AND PROVIDE PROTECTION AS REQUIRED.
2. DURING PLACEMENT OF MATERIAL OVERTOP THE SYSTEM, AT NO TIME SHALL MACHINERY BE USED OVERTOP THAT EXCEEDS THE DESIGN LIMITATIONS OF THE SYSTEM. WHEN PLACEMENT OF MATERIAL OVERTOP, MATERIAL SHALL BE PLACED SUCH THAT THE DIRECTION OF PLACEMENT IS PARALLEL WITH THE OVERALL LONGITUDINAL DIRECTION OF THE SYSTEM WHENEVER POSSIBLE.
3. THE FILL PLACED OVERTOP THE SYSTEM SHALL BE PLACED AT A MINIMUM OF 6" LIFTS. AT NO TIME SHALL MACHINERY OR VEHICLES GREATER THAN THE DESIGN HS-20 LOADING CRITERIA TRAVEL OVERTOP THE SYSTEM WITHOUT THE MINIMUM DESIGN COVERAGE. IF TRAVEL IS NECESSARY OVERTOP THE SYSTEM PRIOR TO ACHIEVING THE MINIMUM DESIGN COVER, IT MAY BE NECESSARY TO REDUCE THE ULTIMATE LOAD/BURDEN OF THE OPERATING MACHINERY SO AS TO NOT EXCEED THE DESIGN CAPACITY OF THE SYSTEM. IN SOME CASES, IN ORDER TO ACHIEVE REQUIRED COMPACTION, HAND COMPACTION MAY BE NECESSARY IN ORDER NOT TO EXCEED THE ALLOTTED DESIGN LOADING.

StormTrap®

PATENTS LISTED AT: [HTTP://STORMTRAP.COM/PATENT/](http://stormtrap.com/patent/)

1-877-867-6872

ENGINEER INFORMATION:

--

PROJECT INFORMATION:

SINGLETRAP
INFILTRATION

CURRENT ISSUE DATE:

--

ISSUED FOR:

SAMPLE PROJECT

REV.	DATE:	ISSUED FOR:	DWN BY:

SCALE:

NTS

SHEET TITLE:

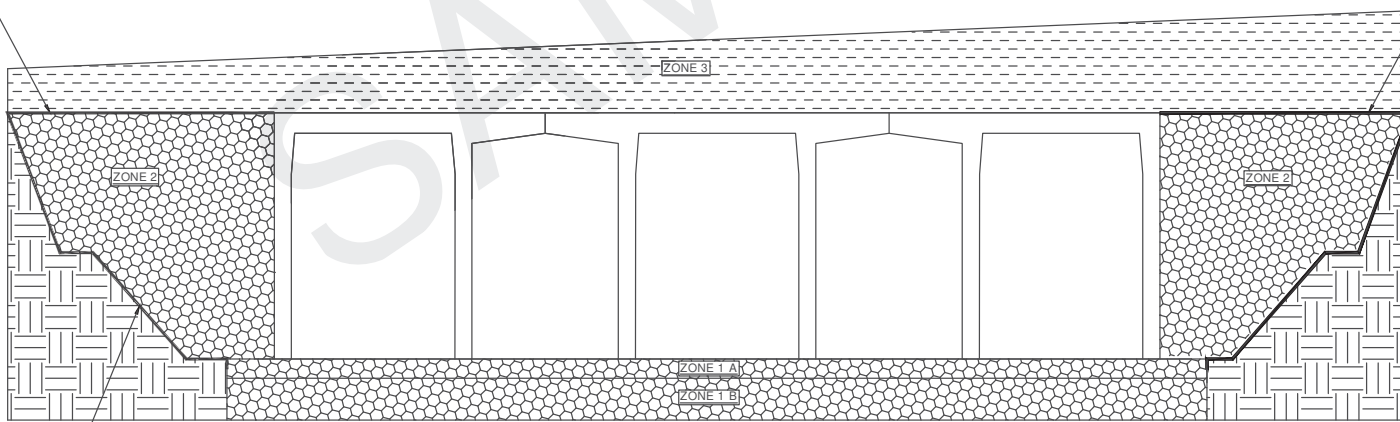
SINGLETRAP BACKFILL SPECIFICATIONS
--

SHEET NUMBER:

4.0

GEOFABRIC/ GEOTEXTILE OR EQUAL (SEE NOTE 1)

GEOFABRIC/ GEOTEXTILE OR EQUAL (SEE NOTE 1)



STEPPED OR SERRATED AND APPLICABLE OSHA REQUIREMENTS (SEE BACKFILL NOTE 1)

BACKFILL DETAIL

**RECOMMENDED
ACCESS OPENING SPECIFICATION**

1. A TYPICAL ACCESS OPENING FOR THE STORMTRAP SYSTEM ARE 2'-0" IN DIAMETER. ACCESS OPENINGS LARGER THAN 3'-0" IN DIAMETER NEED TO BE APPROVED BY STORMTRAP. ALL OPENINGS MUST RETAIN AT LEAST 1'-0" OF CLEARANCE FROM THE END OF THE STORMTRAP MODULE UNLESS NOTED OTHERWISE. ALL ACCESS OPENINGS TO BE LOCATED ON INSIDE LEG UNLESS OTHERWISE SPECIFIED.
2. PLASTIC COATED STEEL STEPS PRODUCED BY M.A. INDUSTRIES PART #PS3-PFC OR APPROVED EQUAL (SEE STEP DETAIL) ARE PROVIDED INSIDE ANY MODULE WHERE DEEMED NECESSARY. THE HIGHEST STEP IN THE MODULE IS TO BE PLACED A DISTANCE OF 1'-0" FROM THE INSIDE EDGE OF THE STORMTRAP MODULES. ALL ENSUING STEPS SHALL BE PLACED WITH A MAXIMUM DISTANCE OF 1'-4" BETWEEN THEM. STEPS MAY BE MOVED OR ALTERED TO AVOID OPENINGS OR OTHER IRREGULARITIES IN THE MODULE.
3. STORMTRAP LIFTING INSERTS MAY BE RELOCATED TO AVOID INTERFERENCE WITH ACCESS OPENINGS OR THE CENTER OF GRAVITY OF THE MODULE AS NEEDED.
4. STORMTRAP ACCESS OPENINGS MAY BE RELOCATED TO AVOID INTERFERENCE WITH INLET AND/OR OUTLET PIPE OPENINGS SO PLACEMENT OF STEPS IS ATTAINABLE.
5. ACCESS OPENINGS SHOULD BE LOCATED IN ORDER TO MEET THE APPROPRIATE MUNICIPAL REQUIREMENTS. STORMTRAP RECOMMENDS AT LEAST TWO ACCESS OPENINGS PER SYSTEM FOR ACCESS AND INSPECTION.
6. USE PRECAST ADJUSTING RINGS AS NEEDED TO MEET GRADE. STORMTRAP RECOMMENDS FOR COVER OVER 2' TO USE PRECAST BARREL OR CONE INSPECTIONS. (PROVIDED BY OTHERS)

**RECOMMENDED
PIPE OPENING SPECIFICATION**

1. MINIMUM EDGE DISTANCE FOR AN OPENING ON THE OUTSIDE WALL SHALL BE NO LESS THAN 1'-0".
2. MAXIMUM OPENING SIZE TO BE DETERMINED BY THE MODULE HEIGHT. PREFERRED OPENING SIZE IS Ø 36" OR LESS. ANY OPENING NEEDED THAT DOES NOT FIT THIS CRITERIA SHALL BE BROUGHT TO THE ATTENTION OF STORMTRAP FOR REVIEW.
3. CONNECTING PIPES SHALL BE INSTALLED WITH A 1'-0" CONCRETE COLLAR, AND AN AGGREGATE CRADLE FOR AT LEAST ONE PIPE LENGTH (SEE PIPE CONNECTION DETAIL). A STRUCTURAL GRADE CONCRETE OR HIGH STRENGTH, NON-SHRINK GROUT WITH A MINIMUM 28 DAY COMPRESSIVE STRENGTH OF 3000 PSI SHALL BE USED.
4. THE ANNULAR SPACE BETWEEN THE PIPE AND THE HOLE SHALL BE FILLED WITH HIGH STRENGTH NON-SHRINK GROUT.

**RECOMMENDED PIPE
INSTALLATION INSTRUCTIONS**

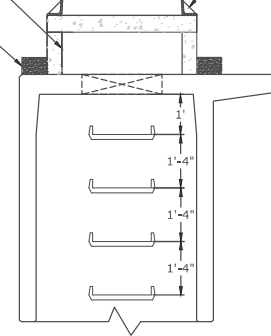
1. CLEAN AND LIGHTLY LUBRICATE ALL OF THE PIPE TO BE INSERTED INTO STORMTRAP.
2. IF PIPE IS CUT, CARE SHOULD BE TAKEN TO ALLOW NO SHARP EDGES. BEVEL AND LUBRICATE LEAD END OF PIPE.
3. ALIGN CENTER OF PIPE TO CORRECT ELEVATION AND INSERT INTO OPENING.

NOTE: ALL ANCILLARY PRODUCTS RECOMMENDED AND SHOWN ON THIS SHEET ARE RECOMMENDATIONS ONLY AND SUBJECT TO CHANGE PER THE INSTALLING CONTRACTOR.

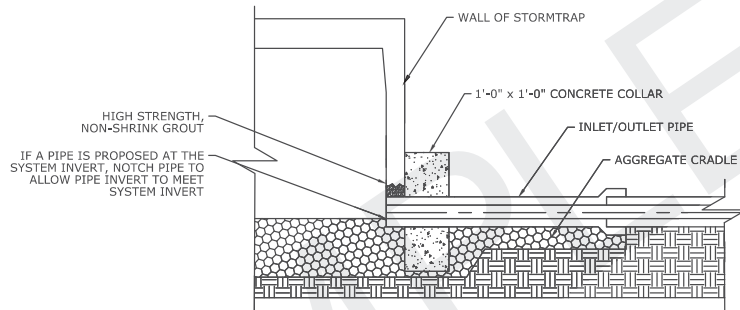
PRECAST CONCRETE ADJUSTING RINGS, BARREL OR CONE SECTIONS AS NEEDED SEE RECOMMENDED ACCESS OPENING SPECIFICATION NOTE 6. (SUPPLIED BY OTHERS)

FRAME & COVER AS SPECIFIED BY ENGINEER (SUPPLIED BY OTHERS)

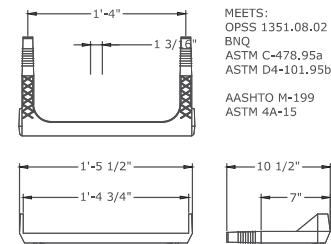
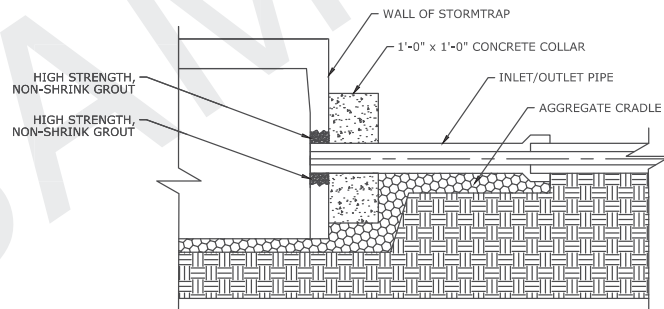
NON-SHRINK GROUT



RISER / STAIR DETAIL



PIPE CONNECTION DETAIL



STEP DETAIL

StormTrap®

PATENTS LISTED AT: [HTTP://STORMTRAP.COM/PATENT/](http://stormtrap.com/patent/)

1-877-867-6872

ENGINEER INFORMATION:

--

PROJECT INFORMATION:

SINGLETRAP
INFILTRATION

CURRENT ISSUE DATE:

--

ISSUED FOR:

SAMPLE PROJECT

REV.	DATE:	ISSUED FOR:	DWN BY:

SCALE:

NTS

SHEET TITLE:

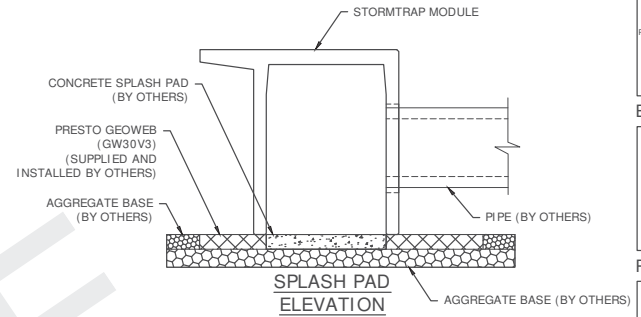
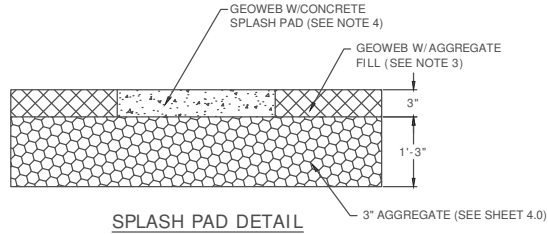
RECOMMENDED PIPE / ACCESS OPENING SPECIFICATIONS

SHEET NUMBER:

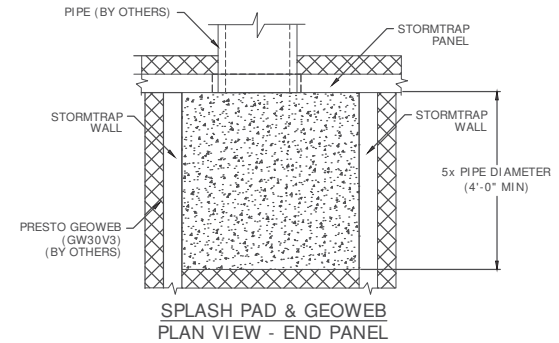
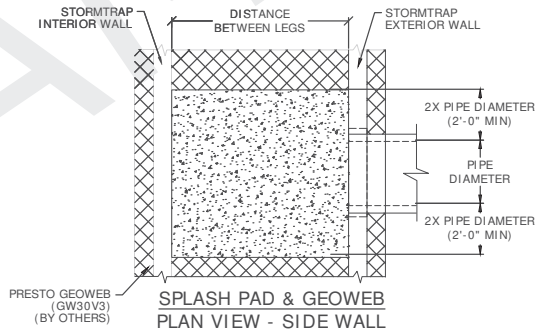
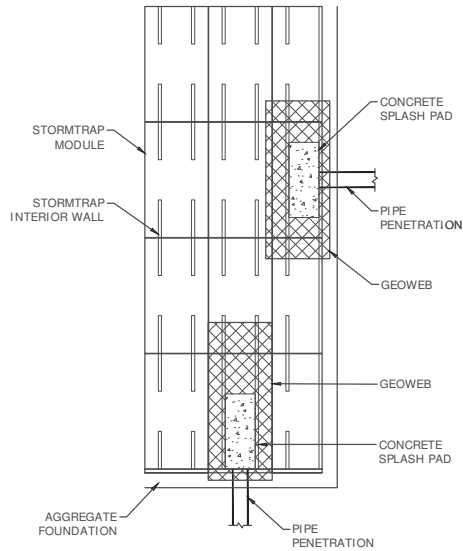
5.0

NOTES:

1. THE APPROVED GEOWEB SHALL BE PRESTO GEOWEB (GW30V3). THE GEOWEB NOMINAL DIMENSIONS SHALL BE 9-FT x 25-FT.
2. THE CONCRETE SPLASH PAD AND GEOWEB SHALL BE INSTALLED PRIOR TO INSTALLATION OF THE STORMTRAP MODULES.
3. THE GEOWEB INFILL MATERIAL SHALL BE #5 AGGREGATE.
4. THE CONCRETE SPLASH PAD SHALL BE INSTALLED WITHIN THE GEOWEB AND IS REQUIRED AT ALL PIPE ENTRY LOCATIONS.
5. THE GEOWEB EDGE SHALL BE INSTALLED 1-FT BEYOND THE OUTER PERIMETER OF THE STORMTRAP SYSTEM.
6. THE GEOWEB LONGITUDINAL DIMENSION (25-FT) SHALL BE INSTALLED PARALLEL TO THE STORMTRAP LEGS.
7. THE CONCRETE SPLASH PAD AND GEOWEB SHALL BE CENTERED AT THE PIPE PENETRATION.
8. REFER TO SPLASH PAD LAYOUT FOR CONCRETE SPLASH PAD DIMENSIONS.
9. IF ANY PRODUCT OTHER THAN PRESTO GEOWEB IS TO BE INSTALLED, THE PRODUCT MANUFACTURER IS REQUIRED TO SUBMIT A LETTER STATING THAT THE PRODUCT IS EQUAL OR BETTER THEN PRESTO GEOWEB, BOTH IN PERFORMANCE AND IN STRUCTURAL CAPACITY.



SPLASH PAD CONFIGURATION



PATENTS LISTED AT: [HTTP://STORMTRAP.COM/PATENT/](http://stormtrap.com/patent/)

1-877-867-6872

ENGINEER INFORMATION:

Blank area for engineer information.

PROJECT INFORMATION:

SINGLETRAP
INFILTRATION

CURRENT ISSUE DATE:

Blank area for current issue date.

ISSUED FOR:

SAMPLE PROJECT

REV.	DATE:	ISSUED FOR:	DWN BY:

SCALE:

NTS

SHEET TITLE:

SPLASH PAD & GEOWEB DETAILS

SHEET NUMBER:

6.0

StormTrap®

PATENTS LISTED AT: [HTTP://STORMTRAP.COM/PATENT]

1-877-867-6872

ENGINEER INFORMATION:

PROJECT INFORMATION:

SINGLETRAP
INFILTRATION

CURRENT ISSUE DATE:

ISSUED FOR:

SAMPLE PROJECT

REV.	DATE:	ISSUED FOR:	DWN BY:

SCALE:

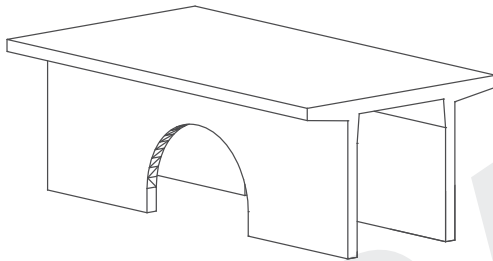
NTS

SHEET TITLE:

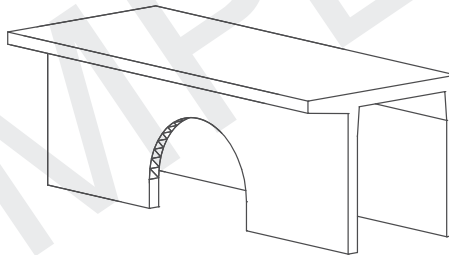
SINGLETRAP
MODULE TYPES

SHEET NUMBER:

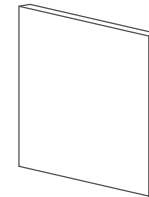
7.0



TYPE I



TYPE II



TYPE IV
END PANEL

SAMPLE

NOTES:

- 1. OPENING LOCATIONS AND SHAPES MAY VARY.
- 2. SP - INDICATES A MODULE WITH MODIFICATIONS.
- 3. P - INDICATES A MODULE WITH A PANEL ATTACHMENT.
- 4. POCKET WINDOW OPENINGS ARE OPTIONAL.