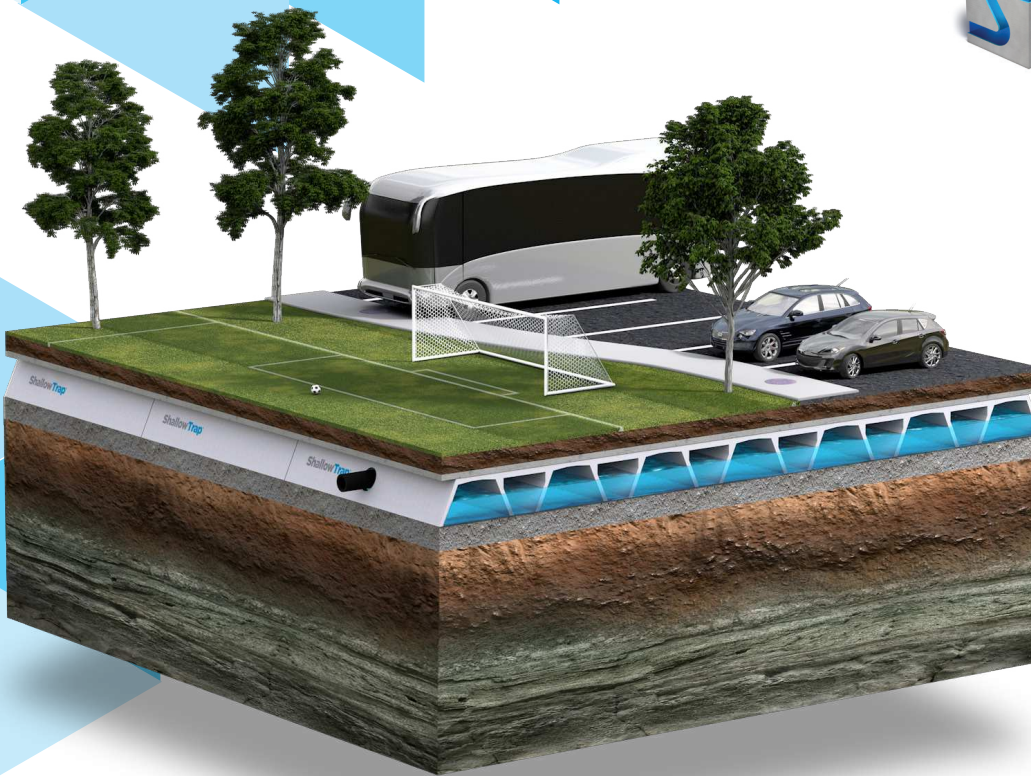




**StormTrap®**

MODULAR CONCRETE  
STORMWATER MANAGEMENT



# STORMWATER MANAGEMENT SOLUTIONS

— FOR —

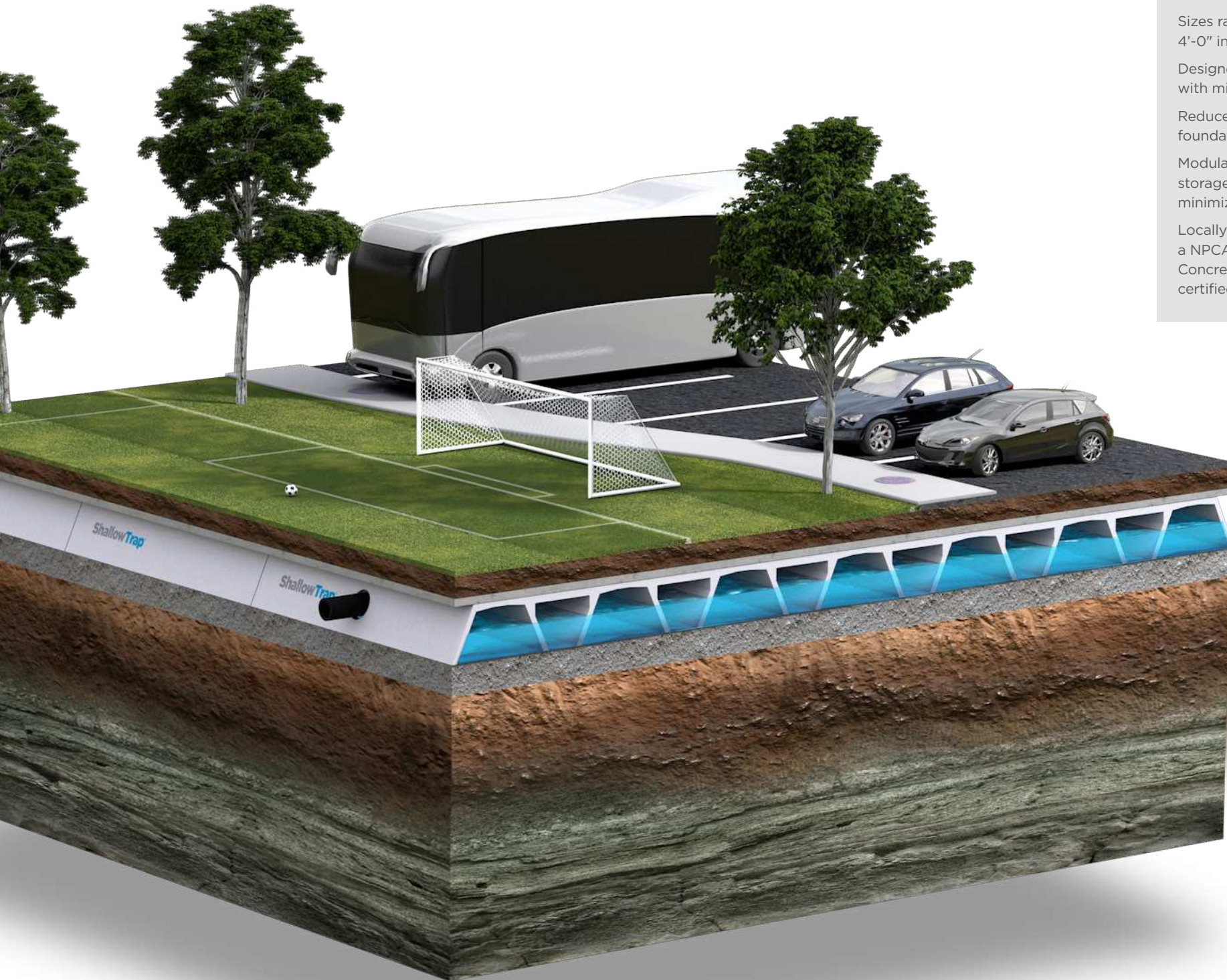
**High Groundwater,  
Bedrock and Restricted  
Outfall Conditions**

**ShallowTrap™**

StormTrap® offers the industry's best solutions for managing runoff, protecting waterways and improving the use of your property. StormTrap's new modular, precast concrete stormwater management solution, ShallowTrap™, is ideal for projects with limited rim to invert elevations due to high groundwater, bedrock constraints or restricted outfall conditions.

# INFILTRATION AND DETENTION FOR SITES WITH SHALLOW DEPTHS

Sizes ranging from 2'-0" to 4'-0" in 6" increments  
 High-strength precast concrete  
 Modular design reduces excavation and project cost



## SIGNIFICANT ADVANTAGES



### Increase Options

Sizes ranging from 2'-0" to 4'-0" in 6" increments  
 Designed to HS-20 loading with minimum of 6" cover  
 Reduced stone base foundation  
 Modular design maximizes storage volume while minimizing footprint  
 Locally manufactured in a NPCA (National Precast Concrete Association) certified facility



### Lower Costs

Installed savings compared to traditional systems  
 Innovative design allows quick and efficient installation  
 Reduced labor and excavation costs



### Minimize Maintenance

Total accessible void storage for easy maintenance  
 Reclaim 100% of original storage volume  
 High-strength precast concrete provides up to 100 years of service life



### Streamline Design and Installation

Budget estimate for system and installation  
 Complete set of drawings  
 Pre-construction meeting  
 Can provide structural stamp on each project  
 Representative on site during installation

## STORMWATER APPLICATIONS



### Infiltration

The ShallowTrap infiltration system provides a large infiltrative surface area that allows water to recharge into the native soil. The system can also help meet low impact development (LID) goals by reducing the volume of stormwater runoff discharged from a site.

### Detention

ShallowTrap detention systems temporarily store runoff in large underground chambers before releasing it at a controlled rate. This mitigates erosion, flooding and many of the other harmful effects of high volumes of stormwater runoff.

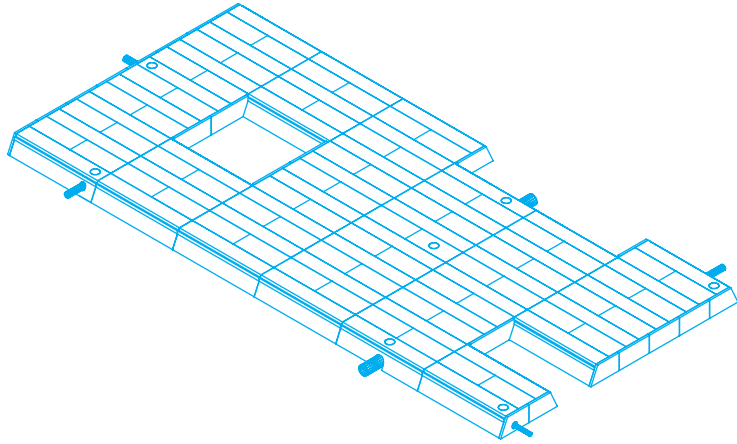


## FLEXIBLE AND ADAPTABLE DESIGNS

### Unique Configurations

Flexible, modular design easily accommodates existing utilities, light pole foundations, trees and other job site constraints

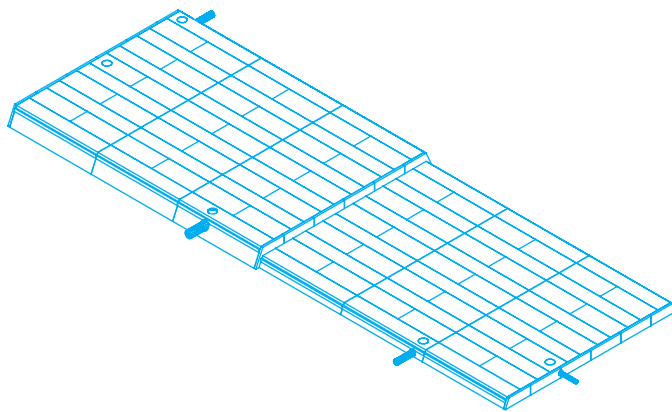
---



### Varying Heights

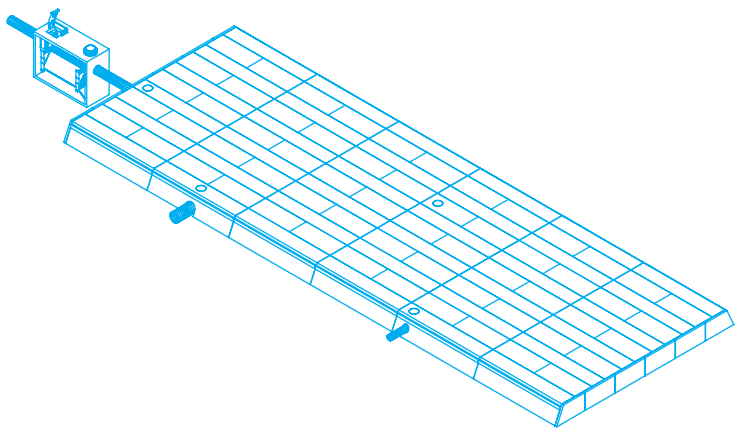
Made of reinforced, high strength concrete available in sizes ranging from 2'-0" to 4'-0"

---



### Integrated Applications

Integrated solutions, such as the SiteSaver water quality device or outlet control structures



PHONE 877 867 6872

WEB [stormtrap.com](http://stormtrap.com)

**Schedule a lunch and learn, download product specifications, or request a free Design & Budget estimate to get your project started!**